



		1	2	3	4	OT	
H	<b>CHOLET BASKET</b>	75	21	19	13	22	0
V	<b>MBC DYNAMO MOSCOW</b>	70	12	23	18	17	0

ARENA: LA MEILLERAIE

DATE: 12/01/2010

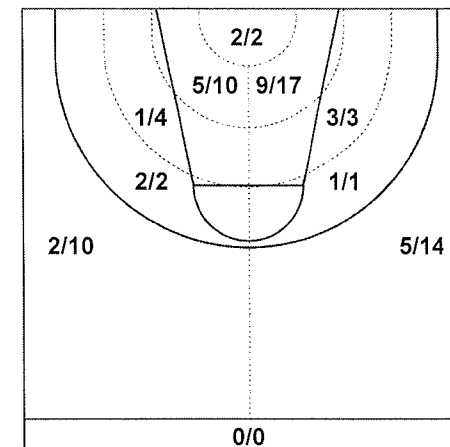
TIME: 19:30

PLAYED: 40:00

Referees: HERCEG, SINISA [CRO], GELLER, RENAUD [BEL], MILOJEVIK, ALEKSANDAR [MKD]

ATTENDANCE: 3500

CHOLET BASKET	Min	Pts	2-Pointers			3-Pointers			Free Throws			Rebounds			Fouls			Blocks			RKG	
			M	A	%	M	A	%	M	A	%	D	O	T	CM	DR	ST	TO	AS	F		AG
5 CAUSEUR, FABIEN	-:--																					
6 GELABALE, MICKAEL (*)	23:30	6	2	4	50	0	1	0	2	2	100	2	2	4	2	2		4	1		1	3
8 EITUTAVICIUS, ARVYDAS (*)	24:12	6	3	3	100	0	5	0				3	1	4	2			3	3			3
9 MEJIA, SAMMY (*)	25:44	25	8	9	89	3	6	50	0	1	0	5	2	7	3	3	1		2			30
12 LEONARD, CHRISTOPHE	07:28	2	1	1	100							1		1	1	1						3
13 SERAPHIN, KEVIN (*)	26:55	5	2	3	67				1	2	50	5		5	3	1		1		1		6
14 FALKER, RANDAL	21:04	4	1	4	25				2	4	50	3		3	1	2	2		2		1	6
16 LINEHAN, JOHN	24:16	8	0	2	0	2	5	40	2	2	100	2	2		3	3	5	1	3			12
17 ANDRE, ERWAN	-:--																					
18 ROBINSON, ANTYWANE (*)	32:01	13	5	10	50	1	3	33	0	1	0	1	3	4	1	1	1	1	4			13
19 IDOMENEE, KEVIN	-:--																					
20 TATUM, JAMAAL	14:50	6	1	3	33	1	4	25	1	2	50	1		1	1	2		1	2			3
TEAM	-:--																					



TEAM COMPARISON	Min	Pts	2-Pointers			3-Pointers			Free Throws			Rebounds			Fouls			Blocks			RKG	
			M	A	%	M	A	%	M	A	%	D	O	T	CM	DR	ST	TO	AS	F		AG
CHOLET BASKET	200:00	75	23	39	59	7	24	29	8	14	57	23	8	31	17	15	9	11	17	1	2	79
MBC DYNAMO MOSCOW	200:00	70	25	37	68	2	21	10	14	19	74	26	10	36	15	17	5	17	14	1	1	74

STARTERS	Pts	Pts %	Rbs	Rbs %	Min %
CHOLET BASKET	55	73	24	77	66
MBC DYNAMO MO	47	67	15	41	61

MBC DYNAMO MOSCOW	Min	Pts	2-Pointers			3-Pointers			Free Throws			Rebounds			Fouls			Blocks			RKG	
			M	A	%	M	A	%	M	A	%	D	O	T	CM	DR	ST	TO	AS	F		AG
7 KHVOSTOV, DIMITRIY (*)	25:01	5	0	1	0	1	2	50	2	2	100	1		1	2	2	2	3	2			5
8 SYROVATKO, ILYA	09:24	1				0	1	0	1	4	25	2	1	3	2	2		1	1			
10 BYKOV, SERGEY (*)	32:54	23	8	12	67	0	4	0	7	7	100	1	1	2	2	6		3	2		1	19
13 ZIBIROV, DRAMIR	09:01	3	0	1	0	1	1	100				1	1	2	2			2				
14 DOMANI, DMITRY (*)	06:11					0	1	0				1		1	1			1				
15 SAVRASENKO, ALEKSEY (*)	30:32	9	4	6	67				1	2	50	5	2	7		1						14
17 VASILYEV, YURI (*)	28:54	10	5	5	100	0	4	0				3	1	4	2	2	1		2			13
21 SHVED, ALEXEY	31:39	8	3	5	60	0	7	0	2	2	100	5		5	1	2	4	6	1			10
22 ZHUKANENKO, ALEXEY	19:31	11	5	7	71				1	2	50	7	1	8	4	2		1	1			14
23 SHEVEL, VLADIMIR	-:--																					
30 GLAZUNOV, ANTON	06:53					0	1	0							1			2				-4
TEAM	-:--											3	3									3

