

			1	2	3	4	OT
H	CHOLET BASKET	82	20	21	19	22	0
V	FENERBAHCE ULKER	78	24	10	18	26	0

ARENA: LA MEILLERAIE

DATE: 17/11/2010

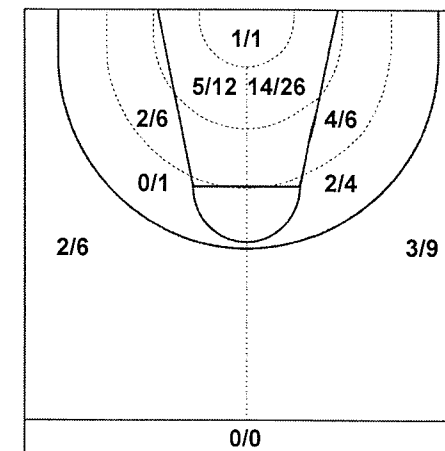
TIME: 20:30

PLAYED: 40:00

Referees: ZIEMBLICKI, GRZEGORZ [POL], PATERNICO, CARMELO [ITA], ANASTOPOULOS, PANAGIOTIS [GRE]

ATTENDANCE: 4800

CHOLET BASKET	Min	Pts	2-Pointers			3-Pointers			Free Throws			Rebounds			Fouls			Blocks			RKG	
			M	A	%	M	A	%	M	A	%	D	O	T	CM	DR	ST	TO	AS	F		AG
6 ROBINSON, ANTYWANE (*)	26:56	14	6	15	40	0	2	0	2	2	100	3	4	7	5	2			1	1	1	8
7 VEOBE, LUC-ARTHUR	26:27	4	2	4	50	0	1	0				2	3	5	3	1	1	1	4	1	1	8
8 HOUMOUNOU, MEREDIS	--:--																					
9 MEJIA, SAMMY (*)	29:53	29	9	12	75	1	3	33	8	10	80	4	1	5	1	6	1	2	3	1		35
11 MARQUIS, CLAUDE (*)	23:26	6	3	7	43				0	2	0	4	4	8	4	3					2	3
12 LEONARD, CHRISTOPHE	08:46	7	2	3	67	1	1	100				3	3		1	1						9
13 DUPORT, ROMAIN	03:10	2	1	2	50	0	1	0							2							-2
15 AVDALOVIC, VULE	30:57	4	0	4	0	1	3	33	1	4	25	2	1	3	2	5		1	5			5
16 NELSON, DeMARCUS (*)	37:02	12	3	6	50	2	3	67				3	1	4	2	3		2	1			12
18 DIARRA, MAMOUTOU (*)	13:23	4	2	3	67	0	1	0	0	2	0				3	3	1	2				-1
TEAM	--:--											1	1	2								2



TEAM COMPARISON	Min	Pts	2-Pointers			3-Pointers			Free Throws			Rebounds			Fouls			Blocks			RKG	
			M	A	%	M	A	%	M	A	%	D	O	T	CM	DR	ST	TO	AS	F		AG
CHOLET BASKET	200:00	82	28	56	50	5	15	33	11	20	55	22	15	37	23	24	3	10	14	3	4	79
FENERBAHCE ULKER	200:00	78	19	33	58	8	25	32	16	25	64	25	15	40	25	23	5	12	15	4	3	85

STARTERS	Pts	Pts %	Rbs	Rbs %	Min %
CHOLET BASKET	65	79	24	64	65
FENERBAHCE ULK	39	50	24	60	58

FENERBAHCE ULKER	Min	Pts	2-Pointers			3-Pointers			Free Throws			Rebounds			Fouls			Blocks			RKG	
			M	A	%	M	A	%	M	A	%	D	O	T	CM	DR	ST	TO	AS	F		AG
4 UKIC, ROKO (*)	30:15	15	3	6	50	2	4	50	3	4	75	3	3	6	4	2			1	4		16
6 TURKCAN, MIRSAJ	23:19	6	0	1	0	2	6	33	0	2	0	3	1	4		2				1	1	5
7 ONAN, OMER (*)	20:49	4	2	3	67	0	1	0				1	1		4				1			
8 GREER, LYNN	09:45	4	1	2	50				2	2	100				2	3			2			6
12 LAVRINOVIC, DARJUS (*)	29:13	10	2	4	50	0	5	0	6	6	100	5	3	8	2	4	1	3	1	3	1	14
14 PEKER, KAYA (*)	19:44	7	3	4	75				1	4	25	3	2	5	5	3	1	1	2			8
17 MAHALBASIC, RASID	--:--																					
21 SAVAS, OGUZ	07:44	2							2	2	100	2	1	3	1	3			1	1		7
22 KINSEY, TARENCE	21:55	15	5	8	63	1	4	25	2	4	50		1	1	1	2	1	2				8
23 MUTAF, CAN MAXIM	--:--																					
33 TOMAS, MARKO (*)	17:21	3				1	2	50				4		4	2	2	1	3	2			6
55 PRELDZIC, EMIR	19:55	12	3	5	60	2	3	67	0	1	0	3	3	3	3	2	1	2		1		12
TEAM	--:--											1	4	5	1				1			3

