

		1	2	3	4	OT	
H	CIBONA	71	20	20	18	13	0
V	CHOLET BASKET	84	27	19	17	21	0

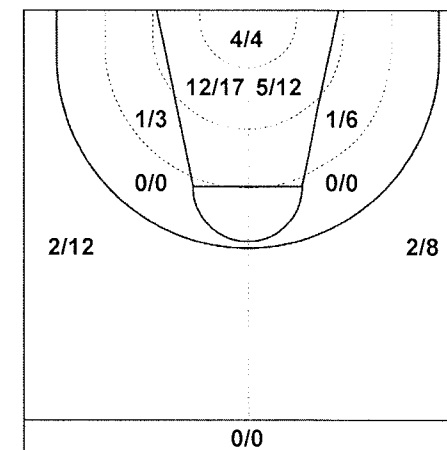
Referees: DRABIKOVSKY, VOLODYMR [UKR]; PEREA, OSCAR [ESP]; KRAUSE, OLIVER [GER]

ARENA: BASKETBALL CENTER DRAZEN PETROVIC

DATE: 11.11.2010. TIME: 18:30 PLAYED: 40:00

ATTENDANCE: TBC

CIBONA	Min	Pts	2-Pointers			3-Pointers			Free Throws			Rebounds			Fouls			Blocks		RKG	
			M	A	%	M	A	%	M	A	%	D	O	T	CM	DR	ST	TO	AS		F
6 STIPCEVIC, ROK (*)	32:58	12	3	4	75	2	4	50				1	1		4	2		1	2		9
7 BOGDANOVIC, BOJAN (*)	38:28	15	3	9	33	1	7	14	6	8	75	3	1	4	3	9	3	2	1	1	14
8 BRNAS, TONI	---																				
12 SMAJLAGIC, SVEN	---																				
15 ZUBCIC, TOMISLAV	27:41	11	4	7	57	1	4	25				2	3	5	1	1	1	2	2	2	9
21 PASALIC, DRAGO (*)	37:00	8	3	9	33	0	3	0	2	2	100	7	3	10	4	1		2	2	1	5
24 VRAGOVIC, KARLO	07:02					0	1	0				1	1	1	1	1	1	2			1
32 VRBANC, GORAN (*)	13:51	6	3	3	100	0	1	0							1		1	2	1		4
43 RADOSEVIC, LEON (*)	37:14	19	7	10	70				5	6	83	7	3	10	3	6	1	1	1	2	31
50 DELAS, MARIO	05:46															1			2		3
TEAM	---								1	1	2							1			1



TEAM COMPARISON	Min	Pts	2-Pointers			3-Pointers			Free Throws			Rebounds			Fouls			Blocks		RKG		
			M	A	%	M	A	%	M	A	%	D	O	T	CM	DR	ST	TO	AS		F	AG
CIBONA	200:00	71	23	42	55	4	20	20	13	16	81	20	13	33	17	21	6	12	13	3	3	77
CHOLET BASKET	200:00	84	27	47	57	9	23	39	3	8	38	25	15	40	21	16	7	11	16	3	4	91

STARTERS	Pts	Pts %	Rbs	Rbs %	Min%
CIBONA	60	84	25	75	79
CHOLET BASKET	51	60	27	67	63

CHOLET BASKET	Min	Pts	2-Pointers			3-Pointers			Free Throws			Rebounds			Fouls			Blocks		RKG	
			M	A	%	M	A	%	M	A	%	D	O	T	CM	DR	ST	TO	AS		F
5 CAUSEUR, FABIEN (*)	26:41	3	0	2	0	1	3	33				2	2	4	2	2	2	3	2		4
6 ROBINSON, ANTYWANE (*)	34:46	18	7	14	50	1	4	25	1	2	50	3	1	4	3	2	1	1		1	9
7 VEBOBE, LUC-ARTHUR	20:14	12	6	7	86				0	2	0	2	1	3	4	2	2	2	1	1	12
8 HOUMOUNOU, MEREDIS	---																				
9 MEJIA, SAMMY (*)	33:51	19	5	11	45	3	5	60				5	6	11	3			2	4	2	19
11 MARQUIS, CLAUDE (*)	07:47	2	1	2	50							3	1	4							5
12 LEONARD, CHRISTOPHE	---																				
13 DUPORT, ROMAIN	---																				
14 FALKER, RANDAL	17:13	6	3	4	75							2	2	4	1	1	1		2	2	14
15 AVDALOVIC, VULE	30:00	15	4	5	80	2	6	33	1	2	50	2		2	1	5		1	2	1	15
16 NELSON, DeMARCUS (*)	23:19	9	1	2	50	2	4	50	1	2	50	3	1	4	4	4	1	2	4		12
18 DIARRA, MAMOUTOU	06:09					0	1	0				1		1	3				1		-2
TEAM	---								2	1	3										3

