

|   |                       |           | 1  | 2  | 3  | 4  | OT |
|---|-----------------------|-----------|----|----|----|----|----|
| H | <b>LIETUVOS RYTAS</b> | <b>92</b> | 28 | 22 | 22 | 20 | 0  |
| V | <b>CHOLET BASKET</b>  | <b>80</b> | 20 | 21 | 21 | 18 | 0  |

ARENA: SIEMENS ARENA

DATE: 2010.12.09

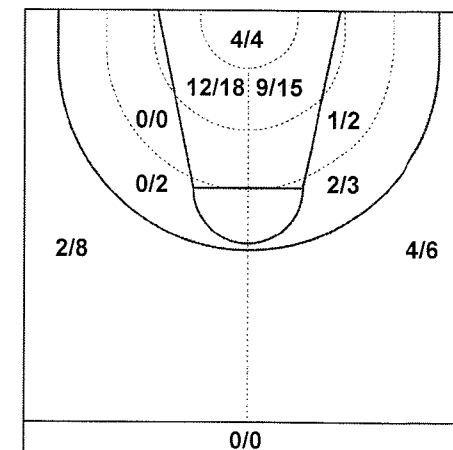
TIME: 18:15

PLAYED: 40:00

Referees: FACCHINI, FABIO [ITA], GELLER, RENAUD [BEL], SHARRO, LAHDO [SWE]

ATTENDANCE: TBC

| LIETUVOS RYTAS              | Min   | Pts | 2-Pointers |    |    | 3-Pointers |   |    | Free Throws |   |     | Rebounds |   |   | Fouls |    | ST | TO | AS | Blocks |    | RKG |
|-----------------------------|-------|-----|------------|----|----|------------|---|----|-------------|---|-----|----------|---|---|-------|----|----|----|----|--------|----|-----|
|                             |       |     | M          | A  | %  | M          | A | %  | M           | A | %   | D        | O | T | CM    | DR |    |    |    | F      | AG |     |
| 5 BABRAUSKAS, STEPONAS      | 00:25 |     |            |    |    |            |   |    |             |   |     |          |   |   |       |    |    |    |    |        |    |     |
| 7 JOHNSON, JERRY            | --:-- |     |            |    |    |            |   |    |             |   |     |          |   |   |       |    |    |    |    |        |    |     |
| 8 SIKSNIUS, ARVYDAS         | --:-- |     |            |    |    |            |   |    |             |   |     |          |   |   |       |    |    |    |    |        |    |     |
| 11 BJELICA, MILKO (*)       | 25:49 | 18  | 8          | 11 | 73 | 0          | 2 | 0  | 2           | 3 | 67  | 2        | 6 | 8 | 4     | 3  | 3  | 3  | 2  |        |    | 21  |
| 13 GECEVICIUS, MARTYNAS (*) | 31:17 | 19  | 3          | 5  | 60 | 3          | 4 | 75 | 4           | 4 | 100 | 2        |   | 2 | 1     | 4  |    | 3  | 4  |        |    | 22  |
| 17 VALANCIUNAS, JONAS       | --:-- |     |            |    |    |            |   |    |             |   |     |          |   |   |       |    |    |    |    |        |    |     |
| 20 NEWLEY, BRAD (*)         | 33:56 | 8   | 3          | 4  | 75 | 0          | 2 | 0  | 2           | 4 | 50  | 5        |   | 5 | 4     | 4  | 2  | 1  |    | 3      | 1  | 11  |
| 21 JOMANTAS, ARTURAS        | 10:51 |     |            |    |    |            |   |    |             |   |     |          |   |   | 2     |    |    |    |    |        |    | -2  |
| 22 JASIKEVICIUS, SARUNAS    | 21:23 | 6   | 2          | 3  | 67 | 0          | 1 | 0  | 2           | 2 | 100 | 2        |   | 2 | 2     | 3  | 1  | 3  | 3  |        | 1  | 7   |
| 25 NALGA, CEMAL (*)         | 27:33 | 16  | 6          | 8  | 75 |            |   |    | 4           | 6 | 67  | 4        | 5 | 9 | 4     | 3  |    |    |    |        | 1  | 19  |
| 42 EL-AMIN, KHALID (*)      | 24:12 | 9   | 2          | 4  | 50 | 1          | 2 | 50 | 2           | 2 | 100 |          |   |   | 4     | 2  | 2  |    | 3  |        |    | 9   |
| 51 BAJRAMOVIC, KENAN        | 24:34 | 16  | 4          | 9  | 44 | 2          | 3 | 67 | 2           | 2 | 100 | 4        | 1 | 5 | 4     | 2  |    | 3  | 2  |        | 1  | 11  |
| TEAM                        | --:-- |     |            |    |    |            |   |    |             |   |     | 1        |   | 1 |       |    |    |    |    |        |    | 1   |



| TEAM COMPARISON | Min    | Pts | 2-Pointers |    |    | 3-Pointers |    |    | Free Throws |    |    | Rebounds |    |    | Fouls |    | ST | TO | AS | Blocks |    | RKG |
|-----------------|--------|-----|------------|----|----|------------|----|----|-------------|----|----|----------|----|----|-------|----|----|----|----|--------|----|-----|
|                 |        |     | M          | A  | %  | M          | A  | %  | M           | A  | %  | D        | O  | T  | CM    | DR |    |    |    | F      | AG |     |
| LIETUVOS RYTAS  | 200:00 | 92  | 28         | 44 | 64 | 6          | 14 | 43 | 18          | 23 | 78 | 20       | 12 | 32 | 25    | 21 | 8  | 13 | 14 | 3      | 4  | 99  |
| CHOLET BASKET   | 200:00 | 80  | 29         | 53 | 55 | 3          | 12 | 25 | 13          | 19 | 68 | 14       | 17 | 31 | 21    | 25 | 6  | 15 | 11 | 4      | 3  | 79  |

| STARTERS       | Pts | Pts % | Rbs | Rbs % | Min % |
|----------------|-----|-------|-----|-------|-------|
| LIETUVOS RYTAS | 70  | 76    | 24  | 75    | 71    |
| CHOLET BASKET  | 52  | 65    | 20  | 64    | 60    |

| CHOLET BASKET              | Min   | Pts | 2-Pointers |    |     | 3-Pointers |   |    | Free Throws |   |     | Rebounds |   |   | Fouls |    | ST | TO | AS | Blocks |    | RKG |
|----------------------------|-------|-----|------------|----|-----|------------|---|----|-------------|---|-----|----------|---|---|-------|----|----|----|----|--------|----|-----|
|                            |       |     | M          | A  | %   | M          | A | %  | M           | A | %   | D        | O | T | CM    | DR |    |    |    | F      | AG |     |
| 6 ROBINSON, ANTYWANE (*)   | 21:43 | 6   | 3          | 9  | 33  | 0          | 2 | 0  |             |   |     | 3        | 4 | 7 | 2     |    | 3  |    |    | 1      |    | 1   |
| 7 VEBOBE, LUC-ARTHUR       | 18:18 | 5   | 2          | 2  | 100 |            |   |    | 1           | 4 | 25  | 2        | 1 | 3 | 2     | 3  |    | 1  |    |        | 1  | 6   |
| 8 HOUMOUNOU, MEREDIS       | --:-- |     |            |    |     |            |   |    |             |   |     |          |   |   |       |    |    |    |    |        |    |     |
| 9 MEJIA, SAMMY (*)         | 34:27 | 17  | 5          | 11 | 45  | 2          | 4 | 50 | 1           | 1 | 100 | 4        | 2 | 6 | 2     | 4  | 3  | 1  | 3  |        | 1  | 21  |
| 11 MARQUIS, CLAUDE (*)     | 17:00 | 10  | 4          | 6  | 67  |            |   |    | 2           | 3 | 67  | 1        | 3 | 4 | 3     | 4  | 1  | 2  |    |        |    | 11  |
| 12 LEONARD, CHRISTOPHE (*) | 25:07 | 6   | 2          | 4  | 50  | 0          | 1 | 0  | 2           | 2 | 100 | 2        | 2 |   | 1     | 2  |    | 2  |    | 1      |    | 5   |
| 13 DUPORT, ROMAIN          | --:-- |     |            |    |     |            |   |    |             |   |     |          |   |   |       |    |    |    |    |        |    |     |
| 14 FALKER, RANDAL          | 22:59 | 11  | 5          | 6  | 83  |            |   |    | 1           | 1 | 100 | 3        | 2 | 5 | 4     | 2  |    | 2  | 1  | 1      | 1  | 12  |
| 15 AVDALOVIC, VULE         | 29:33 | 12  | 3          | 4  | 75  | 1          | 4 | 25 | 3           | 4 | 75  | 1        |   | 1 | 4     | 6  | 1  |    | 6  |        |    | 17  |
| 16 NELSON, DeMARCUS (*)    | 22:15 | 13  | 5          | 8  | 63  |            |   |    | 3           | 4 | 75  | 1        | 1 |   | 3     | 4  |    | 3  | 1  |        |    | 9   |
| 18 DIARRA, MAMOUTOU        | 08:38 |     | 0          | 3  | 0   | 0          | 1 | 0  |             |   |     |          |   |   |       |    | 1  | 1  |    |        | 1  | -5  |
| TEAM                       | --:-- |     |            |    |     |            |   |    |             |   |     | 2        |   | 2 |       |    |    |    |    |        |    | 2   |

