

			1	2	3	4	OT
H	<b>CHOLET BASKET</b>	<b>81</b>	22	16	21	22	0
V	<b>CIBONA</b>	<b>65</b>	15	18	19	13	0

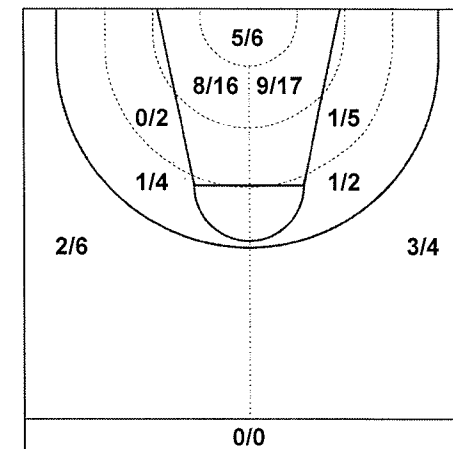
ARENA: LA MEILLERAIE

DATE: 15/12/2010 TIME: 20:30 PLAYED: 40:00

ATTENDANCE: 4800

Referees: MITJANA, JUAN CARLOS [ESP], SAHIN, TOLGA [ITA], VYKLIICKY, ROBERT [CZE]

CHOLET BASKET	Min	Pts	2-Pointers			3-Pointers			Free Throws			Rebounds			Fouls		ST	TO	AS	Blocks		RKG
			M	A	%	M	A	%	M	A	%	D	O	T	CM	DR				F	AG	
5 CAUSEUR, FABIEN	--:--																					
6 ROBINSON, ANTYWANE (*)	19:58	15	3	5	60	3	4	75				4	3	7				1		2	20	
7 VEBOBE, LUC-ARTHUR	20:02	10	4	6	67				2	2	100	5	1	6	2	1	1	1	1		14	
8 HOUMOUNOU, MEREDIS	--:--																					
9 MEJIA, SAMMY (*)	36:26	16	5	12	42	1	3	33	3	3	100	4	1	5	1	4	4	1	4		22	
11 MARQUIS, CLAUDE (*)	21:43	11	4	7	57				3	4	75	1	4	5	3	4		2	1	1	13	
12 LEONARD, CHRISTOPHE (*)	22:49	7	2	5	40	1	1	100				1	1					2			-1	
13 DUPORT, ROMAIN	--:--																					
14 FALKER, RANDAL	18:17	7	3	4	75				1	4	25	1	2	3	2	3		1	2		8	
15 AVDALOVIC, VULE (*)	34:46	8	1	4	25	0	2	0	6	6	100	2		2	2	2	2	3	13		17	
16 NELSON, DeMARCUS	22:40	7	3	9	33				1	2	50	5	2	7	4	1		1			3	
18 DIARRA, MAMOUTOU	03:19											1		1	2						-1	
TEAM	--:--											4	1	5				1			4	



TEAM COMPARISON	Min	Pts	2-Pointers			3-Pointers			Free Throws			Rebounds			Fouls		ST	TO	AS	Blocks		RKG
			M	A	%	M	A	%	M	A	%	D	O	T	CM	DR				F	AG	
CHOLET BASKET	200:00	81	25	52	48	5	10	50	16	21	76	27	15	42	20	15	7	13	21	3	0	99
CIBONA	200:00	65	16	41	39	6	18	33	15	19	79	18	12	30	17	20	3	12	9	0	3	54

STARTERS	Pts	Pts %	Rbs	Rbs %	Min %
CHOLET BASKET	57	70	20	47	67
CIBONA	57	87	28	93	82

CIBONA	Min	Pts	2-Pointers			3-Pointers			Free Throws			Rebounds			Fouls		ST	TO	AS	Blocks		RKG
			M	A	%	M	A	%	M	A	%	D	O	T	CM	DR				F	AG	
6 STIPCEVIC, ROK (*)	37:18	13	2	5	40	2	4	50	3	4	75	6		6	1	3		4	2		13	
7 BOGDANOVIC, BOJAN (*)	39:16	16	5	11	45	1	8	13	3	4	75	1	3	4	2	7	1	4	4		1	11
8 BRNAS, TONI	03:00		0	1	0										1			1				-3
12 SMAJLAGIC, SVEN	03:33														1							-1
14 LALIC, JURE (*)	20:26	11	4	8	50				3	4	75			5	5			1		1	11	
15 ZUBCIC, TOMISLAV (*)	32:11	12	3	6	50	1	1	100	3	3	100	3	2	5	2	2		1			13	
23 KRSTANOVIC, STIPE	00:41																					
24 VRAGOVIC, KARLO	04:29		0	1	0									1	1							
25 FILIPOVIC, MARIO	--:--																					
32 VRBANC, GORAN	24:16	8	1	1	100	2	5	40				1		1	2			1			5	
43 RADOSEVIC, LEON (*)	34:50	5	1	8	13				3	4	75	7	1	8	3	3	2	2	1		1	5
TEAM	--:--																					

