

			1	2	3	4	OT
H	MONTEPASCHI SIENA	76	22	11	22	21	0
V	CHOLET BASKET	44	12	16	12	4	0

ARENA: PALAESTRA

DATE: 21/10/2010

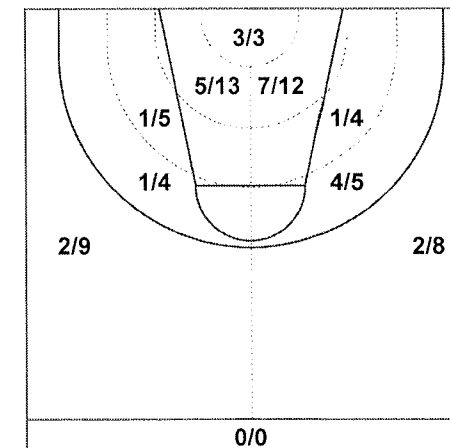
TIME: 21:00

PLAYED: 40:00

ATTENDANCE: TBC

Referees: RADOVIC, SRETEN [CRO], CONDE, ANTONIO [ESP], PILOIDIS, ANASTASIOS [GRE]

MONTEPASCHI SIENA	Min	Pts	2-Pointers			3-Pointers			Free Throws			Rebounds			Fouls		ST	TO	AS	Blocks		RKG
			M	A	%	M	A	%	M	A	%	D	O	T	CM	DR				F	AG	
4 McCALEBB, BO (*)	23:15	12	2	7	29	0	1	0	8	8	100		3	3	1	6	1	2	5		1	17
6 ZISIS, NIKOS	16:45	3	1	3	33				1	1	100		2	2	2	2	1	1	3		1	5
7 HAIRSTON, MALIK	09:41	4	2	4	50	0	1	0				1	1	1	1							1
9 CARRARETTO, MARCO (*)	23:19	13	2	2	100	3	6	50				3	1	4	1			1				14
11 RAKOVIC, MILOVAN (*)	17:45	7	3	5	60				1	1	100	5	1	6	2	1	2				1	13
12 LAVRINOVIC, KSISTOF	21:39	13	4	7	57	0	3	0	5	6	83	2	4	6	1	4			1	1	1	16
13 KAUKENAS, RIMANTAS	18:12	8	3	7	43	0	2	0	2	2	100	2	1	3		1	1	3				4
14 RESS, TOMAS	08:57	4	2	3	67							2	2								1	6
15 MICHELORI, ANDREA	11:03		0	1	0				0	2	0	1	1	2	2	1		3				-5
20 STONEROOK, SHAUN (*)	20:36		0	2	0							5	5	3	1	3		4				8
21 ARADORI, PIETRO	12:12	2				0	2	0	2	2	100	1	1	2	1	2	1		1			5
34 MOSS, DAVID (*)	16:36	10	3	5	60	1	2	50	1	2	50		2	2	4	3	1	1	1			8
TEAM	----											3	2	5				1				4



TEAM COMPARISON	Min	Pts	2-Pointers			3-Pointers			Free Throws			Rebounds			Fouls		ST	TO	AS	Blocks		RKG
			M	A	%	M	A	%	M	A	%	D	O	T	CM	DR				F	AG	
MONTEPASCHI SIENA	200:00	76	22	46	48	4	17	24	20	24	83	25	18	43	18	21	10	11	16	3	3	96
CHOLET BASKET	200:00	44	13	31	42	3	20	15	9	13	69	17	12	29	21	18	6	21	11	3	3	27

STARTERS	Pts	Pts %	Rbs	Rbs %	Min %
MONTEPASCHI SII	42	55	20	46	50
CHOLET BASKET	32	72	20	68	67

CHOLET BASKET	Min	Pts	2-Pointers			3-Pointers			Free Throws			Rebounds			Fouls		ST	TO	AS	Blocks		RKG
			M	A	%	M	A	%	M	A	%	D	O	T	CM	DR				F	AG	
5 CAUSEUR, FABIEN	30:47	8	1	2	50	2	6	33				3	1	4	3	2	2	3	3			8
6 ROBINSON, ANTYWANE (*)	30:32	9	2	6	33	0	3	0	5	6	83	6		6	2	3	1	3	1		1	6
7 VEBOBE, LUC-ARTHUR	----																					
8 HOUMOUNOU, MEREDIS	----																					
9 MEJIA, SAMMY (*)	29:43	8	4	5	80	0	3	0				1	2	3	2	3		2	1			7
11 MARQUIS, CLAUDE	12:55	4	2	3	67				0	1	0	1	2	3	3	1		4				-1
12 LEONARD, CHRISTOPHE	04:04																1	1	1			1
13 DUPORT, ROMAIN	07:42					0	1	0							2	1		1				-3
14 FALKER, RANDAL (*)	25:27	5	2	6	33				1	2	50	4	5	9	2	3		1	1	2	1	11
15 AVDALOVIC, VULE (*)	32:15	6	1	3	33	1	4	25	1	2	50		1	1	2	3	1	2	1			2
16 NELSON, DE MARCUS (*)	16:58	4	1	5	20				2	2	100	1		1	4	2	1	3	1	1	1	-2
18 DIARRA, MAMOUTOU	09:37		0	1	0	0	3	0							1				2			-3
TEAM	----											1	1	2				1				1

